

TM



**NATIONAL OILWELL VARCO**

# PRODUCT INFORMATION

Product Bulletin No.: 12-30-13-PP

Rev 001

## 14-P-220 Mud Pump Torque Pro Valve Cover System

Date: January 3, 2014

- Subject:** Required addition of a disc plate to relieve the bending stresses of the adapter plate resulting from the recess in the seal retainer on the 14-P-220 Mud Pump Torque Pro Valve Cover System.
- Product:** 14-P-220 Mud Pump Torque Pro Valve Cover System (OEM Fluid Ends)
- Affected Assemblies:** This bulletin applies to all 14-P-220 Mud Pump Torque Pro Valve Cover Systems that utilize the OEM fluid ends which contain the seal retainers with a recess.
- Objective:** To notify owners/operators that there is a possibility of bending stresses to the adapter plate that could result in failure of the part.
- Issue:** Due to a recess in the seal retainer (item 14 in Figure 1), the adapter plate (item 13 in Figure 1) is experiencing bending stresses that are cyclical in nature most noticeably on the suction side of the OEM fluid end. This may cause the adapter plate to eventually fail due to cracks caused by fatigue loading.
- Solution:** NOV Mission will supply a disc plate (item 13A in Figure 1) to all owner/operators of the 14-P-220 Mud Pump Torque Pro Valve Cover System for installation in the recess of the seal retainer below the adapter plate as shown in Figure 1 to mitigate any bending stresses which may be caused by the recess. Going forward, Valve Covers will no longer be manufactured with the recess in the seal retainer therefore the addition of the disc plate is only applicable to Valve Covers manufactured before the date of this bulletin.
- Instructions:** To install the disc plate (item 13A in Figure 1), remove the lock ring and lug adapter (items 1 and 2) per the instructions in the NOV Torque Pro Manual, unscrew the handle (item 12) and remove the adapter plate (item 13). Install the disc plate (13A) in the recess of the seal retainer (item 14) locating the disc plate (13A) in the middle of the recess. Install the adapter plate (13) on top of the disc plate (13A). Notice that the adapter plate (13) will sit on top of the disc plate (13A) and not on top of the seal retainer (14). Screw the handle (12) back into its original position. Re-install the lock ring and lug adapter (1 and 2) per the instructions in the NOV Torque Pro Manual.



FAILURE TO FOLLOW THE RECOMMENDATIONS AND/OR GUIDANCE IN NOV MANUALS AND PRODUCT BULLETINS MAY RESULT IN DEATH, BODILY INJURY OR PROPERTY DAMAGE.

For additional information and assistance please contact:

Charo Bellido

+1 713 346 7420

[charo.bellido@nov.com](mailto:charo.bellido@nov.com)

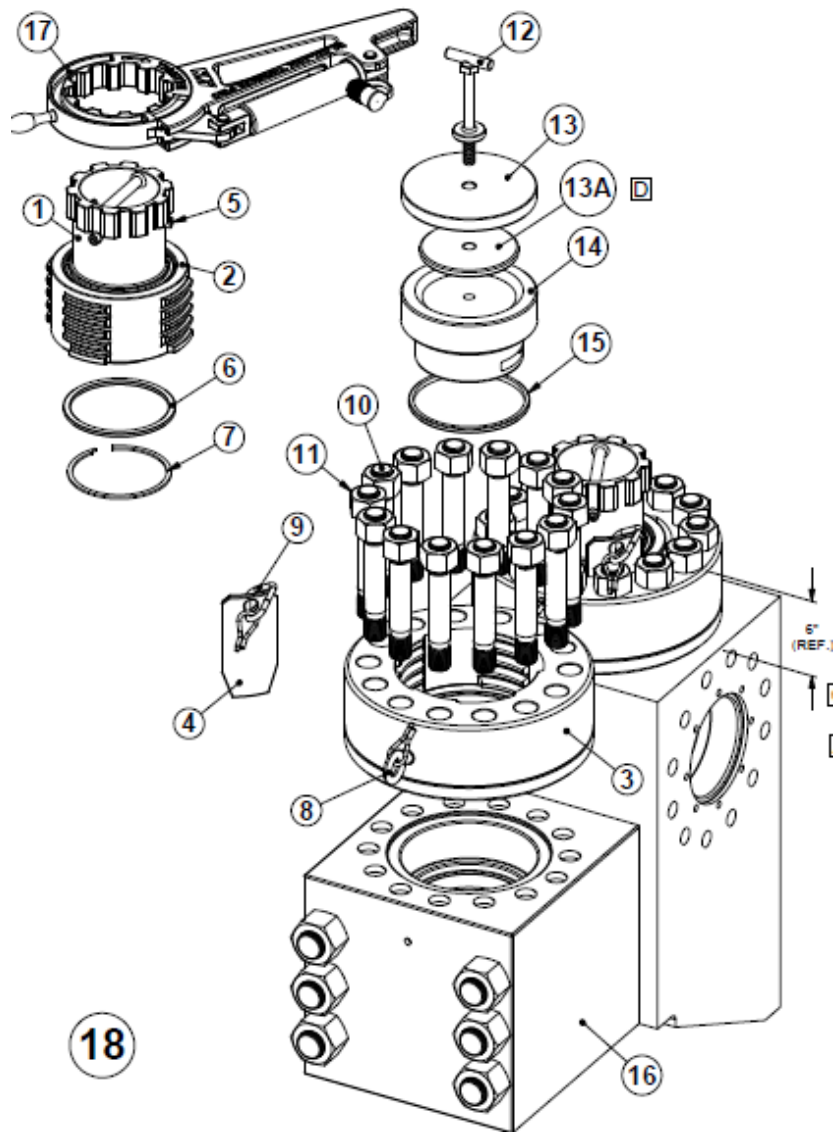


Figure 1: Exploded close up of Figure 2 showing the parts in more detail.

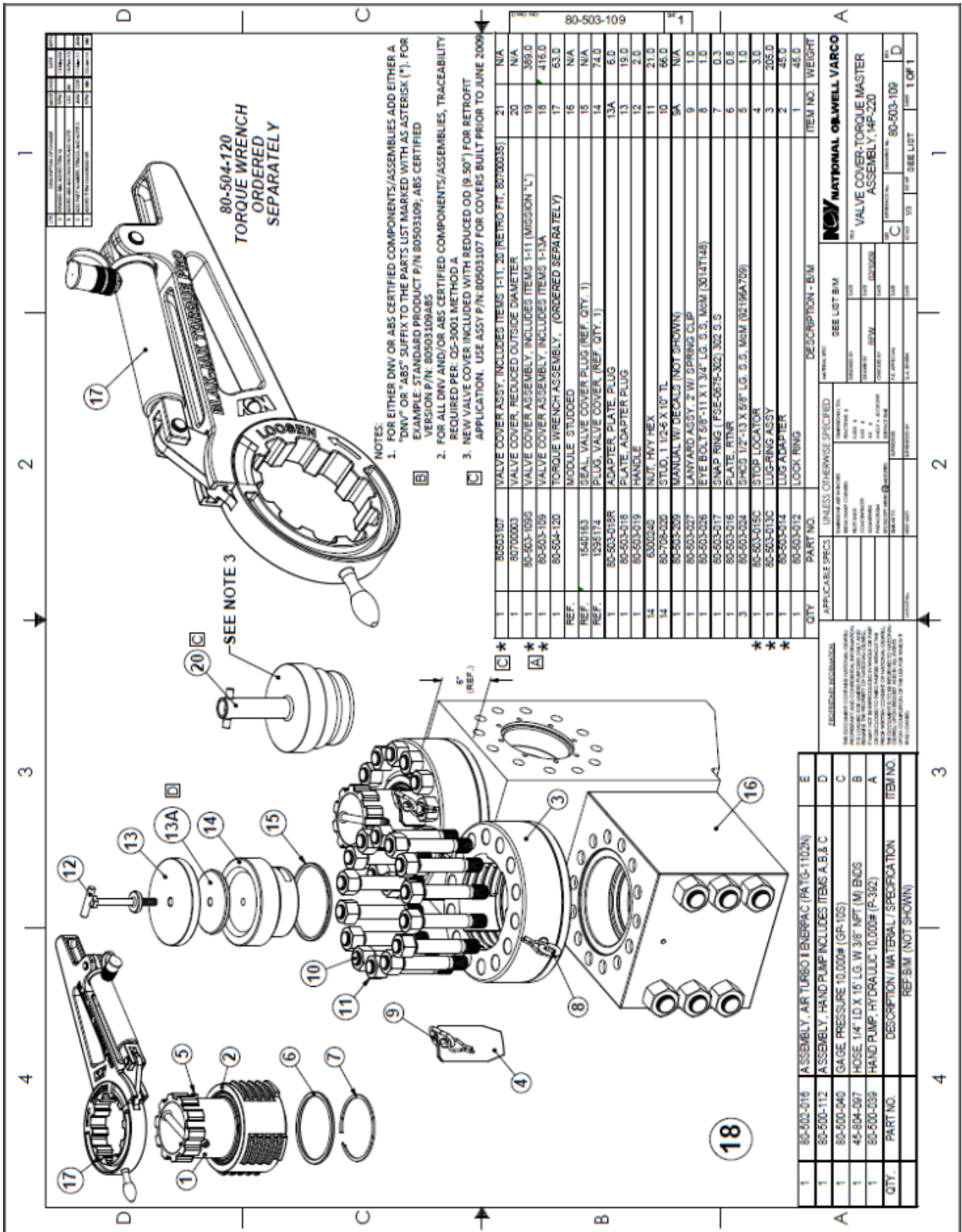


Figure 2: Assembly drawing of the 14-P-220 Torque Pro Valve Cover System